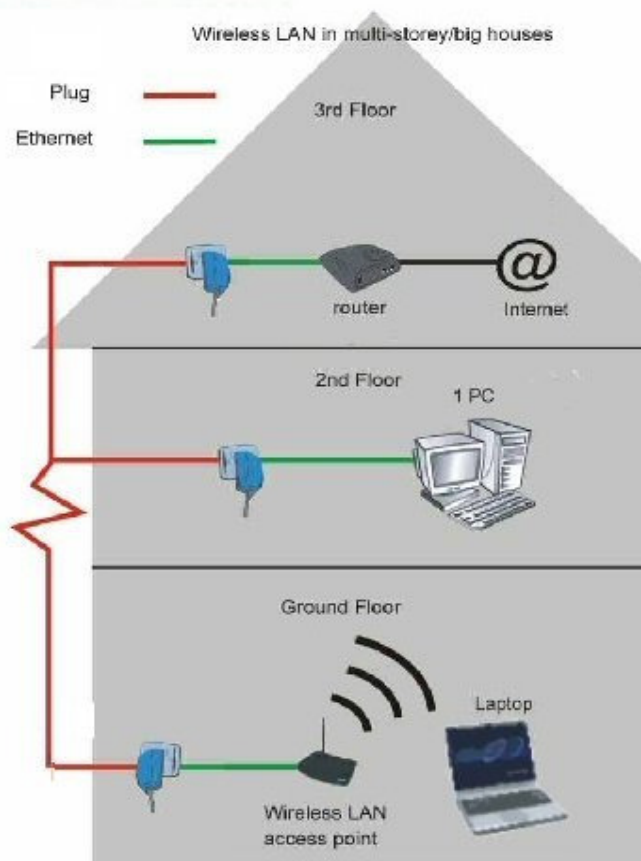
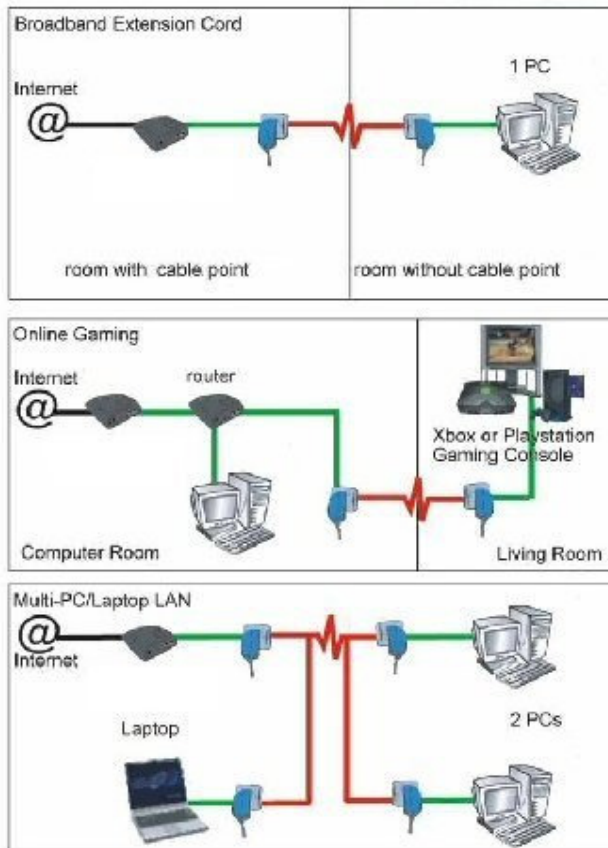


Home Plug - Ethernet Over Power



Specifications

Protocols/Standards	HomePlug 1.0 specification. IEEE 802.3 10Base-T Ethernet (10Mbps) Compliant 10 Mbps AutoMDI/MDIx Support 14 Mbps HomePlug 1.0 compatible CSMA/CA MAC control
Modulation Support	OFDM, DQPSK, DBPSK, ROBO Carrier Modulation Support
Frequency Band	4.3 MHz to 20.9 MHz band
Quality of Service	Forward Error Correction (FEC) support Channel Adaption ensures that signal integrity is maintained even under harsh noise environment CSMA/CA with prioritisation and ARQ for reliable delivery of Ethernet packets via Packet Encapsulation Four Level prioritised random access method Segment bursting and contention-free access ensures high throughput while maintaining low latency response and jitter performance.
Security Support	56 bit DES Encryption with key management for secure powerline communications (utilise Windows 98SE, 2000, ME, XP to enable encryption)
Platform Support	OS Independent with TCP/IP protocol installed
Power Supply	Integrated 230V AC Supply via power socket for UK model
LED Indicators	1 x power LED 1 x PowerLine Link Status LED 1 x Ethernet Link / Activity Status LED
External Connectors	1 x Electrical Power Socket 1 x RJ45 for 10 Base-T Ethernet (AutoMDI-X)